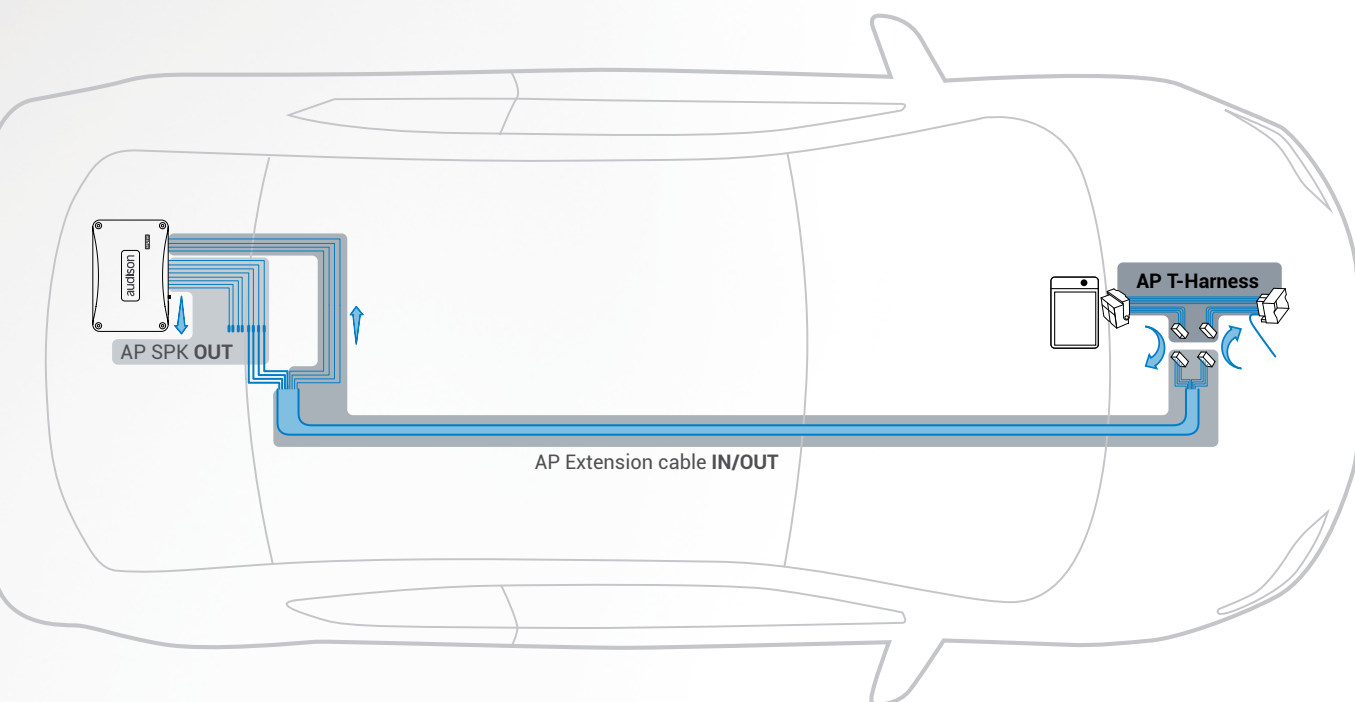


# audison



prima

## PRODUCT INFORMATION P&P CABLE

Elettromedia January 2015



[www.audison.eu](http://www.audison.eu)



ideato,  
progettato,  
ingegnerizzato  
in Italia



## Product Information

Elettromedia - January 2015

Prima AP Plug&Play cables	3
Technical Sheet	5
<b>AP Plug &amp; Play cables:</b>	
AP8.9 bit Outputs config. sheet: 2 Way active Front + Rear + Sub	8
AP5.9 bit Outputs config. sheet: 2 Way active Front + Sub	10
AP4.9 bit Outputs config. sheet: Front + Rear	12
Technical Specification	14
About us	23
Press kit	27

**audison**

For more information visit [www.audison.eu](http://www.audison.eu)

# Prima AP Plug&Play cables

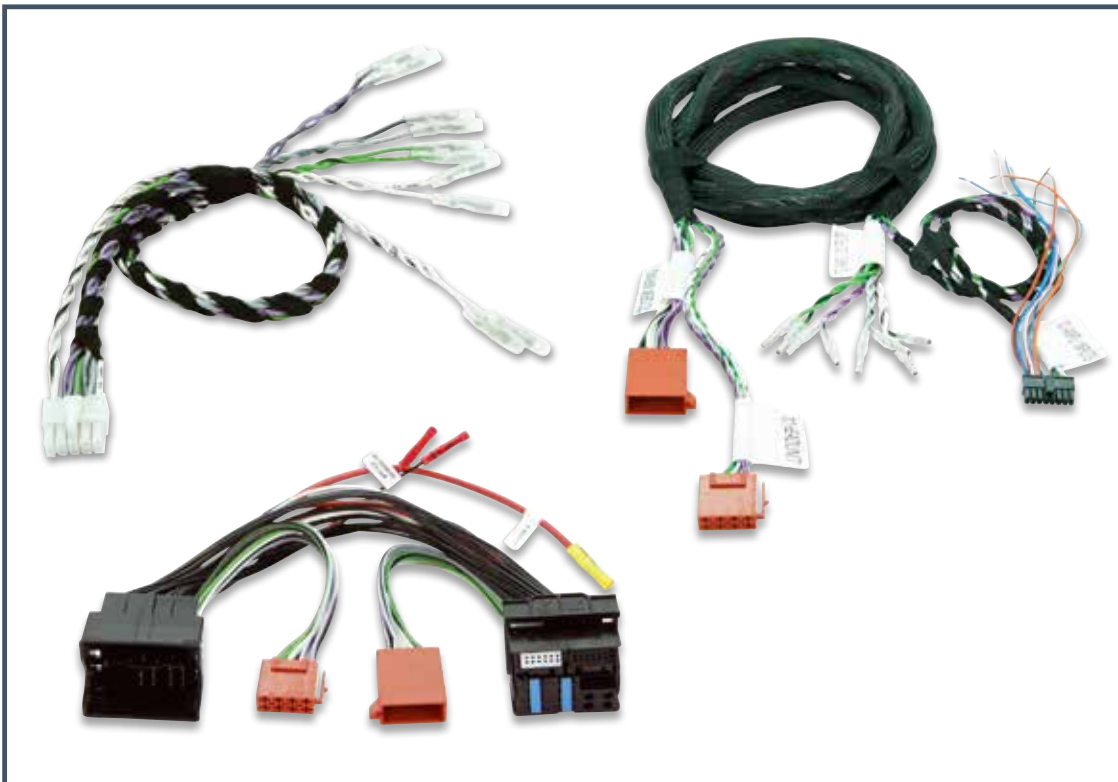
---

The Prima AP Plug&Play cables for the AP bit amplifiers ensure maximum ease of installation for the Audison Prima system according to the "OEM Integrator" philosophy. For this purpose, cables with Plug&Play connections and foolproof have been built using the same materials employed to build the OEM wiring.

The solutions which Audison offers are: AP T-Harness "DCC", AP Extension Cables and AP Speakers Output Cables.

Thanks to these three cable families, the AP bit amplifiers can be installed on a large number of vehicles with drastically reduced working time, and without the need to modify the factory wiring.

All cables have appropriate gauge size and are twisted to ensure maximum shielding effectiveness along the entire input/output line.



**AP T-Harness "DCC".**

T-Harness "DCC" is the Plug&Play solution to integrate Audison Prima with the factory car audio system. The battery positive is taken from the head unit without the need of reaching the engine compartment thanks to the DCC\* solution.

\*The DCC solution, (Direct Cockpit Current) can be used combined with the AP bit amplifiers' feature which controls the amplifier absorption peaks, protecting the car power supply system.

**AP Extension cables.**

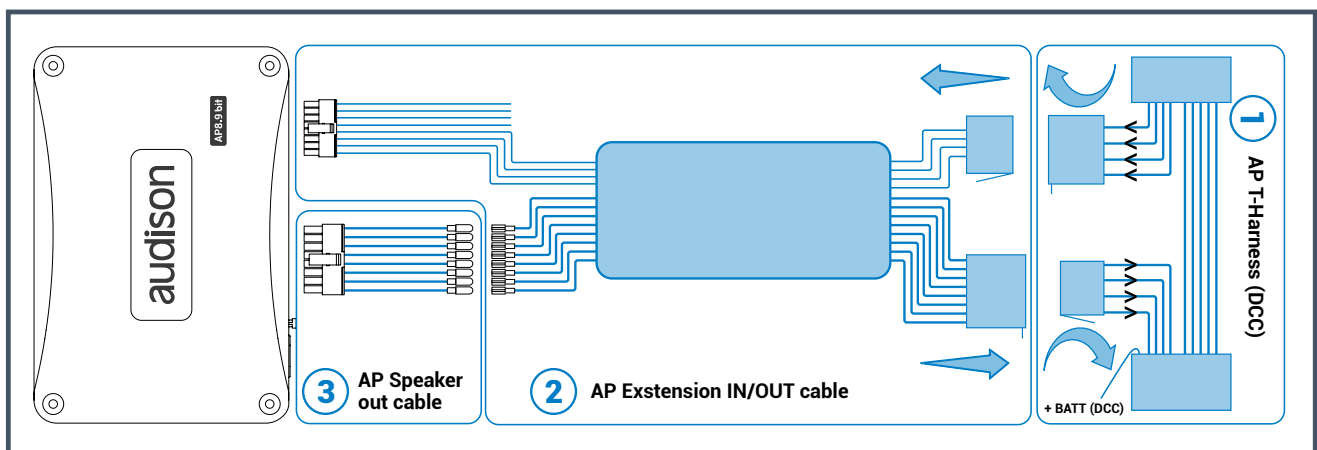
The Extension cable with Plug&Play connections allows total freedom in positioning the AP bit amplifiers. Two extension typologies are available: input only, to only send the audio signal coming from the head unit to the AP bit amplifiers, or input/output, transmit also the AP bit amplifiers' output signal to the factory audio system. To do so, the AP Extension Cables IN/OUT needs to be installed together with the AP Speakers Output Cables (see following paragraph).

By use of the input/output extension, the installer is free to choose which configuration to adopt. Actually, thanks to the AP Extension cables, each single channel of the AP bit amplifier is sent to any of the speakers in the car, so the installer is free to carry out the desired configuration.

For example: standard front (2ch TW+WF), multi-amplified front (2ch TW + 2ch WF), multi-amplified front with 4 bridged channels (130W @ 4ohm) for the woofers (2ch TW + 4ch bridge WF) and all the other possible combinations.

**AP Speakers Output cables.**

The AP Speakers Output cables are available in 3 versions: for AP8.9 bit, for AP5.9 bit and for AP4.9 bit. These cables are dedicated to the connection of the AP bit amplifiers with the input/output Extension cable. The Plug&Play connectors with circle terminals are numbered ("CH1 +", CH1 -, etc...) for a foolproof connection. There is no need to solder any cable.



## AP Extension cable In/Out.

- 1 Built with twisted cables, for effective elimination of disturbances.
- 2 Three different lengths (1,6 mt, 2,6 mt and 5,6 mt) suitable for any vehicle.
- 3 Cut-proof protective shield.
- 4 High flexibility for maximum ease of installation.
- 5 In/Out double connector, to also receive the amplified signal of the AP bit amplifiers.
- 6 No soldering required.



ITEM	DESCRIPTION
AP 160P&P I/O	ISO EXTENTION IN/OUT 160 cm/63"
AP 260P&P I/O	ISO EXTENTION IN/OUT 260 cm/102"
AP 560P&P I/O	ISO EXTENTION IN/OUT 560 cm/220"

## AP Extension cable Input.

- 1 Built with twisted cables, for effective elimination of disturbances.
- 2 Three different lengths (1,6 mt, 2,6 mt and 5,6 mt) suitable for any vehicle.
- 3 Cut-proof protective shield.
- 4 High flexibility for maximum ease of installation.
- 5 No soldering required.



ITEM	DESCRIPTION
AP 160P&P IN	ISO EXTENTION INPUT 160 cm/63"
AP 260P&P IN	ISO EXTENTION INPUT 260 cm/102"
AP 560P&P IN	ISO EXTENTION INPUT 560 cm/220"

## AP Speakers Output cables.

- 1 Built with twisted cables, for effective elimination of disturbances.
- 2 3 specific models dedicated to AP8.9 bit, AP5.9 bit and AP4.9 bit amplifiers respectively.
- 3 Round terminals for maximum ease of connection.
- 4 Multi-amplification possible with all configurations\*.
- 5 Cables are numbered for foolproof connection to the Extension cable.
- 6 No soldering required.

\*See connection diagrams

ITEM	DESCRIPTION
AP SPK OUT 4.9	4CH OUTS CIRC. TERMINALS FEMALE



ITEM	DESCRIPTION
AP SPK OUT 5.9	5CH OUTS CIRC. TERMINALS FEMALE



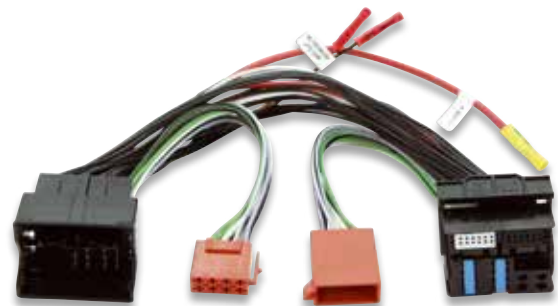
ITEM	DESCRIPTION
AP SPK OUT 8.9	8CH OUTS CIRC. TERMINALS FEMALE



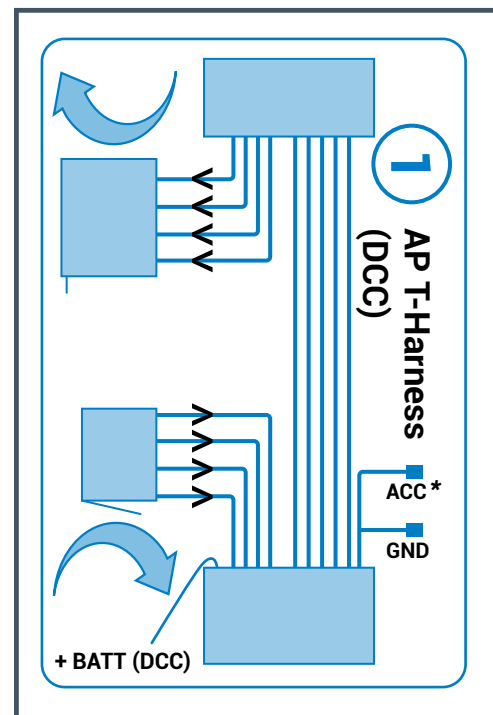
## AP T-Harness.

- 1 Designed specifically for your vehicle, for maximum OEM integration.
- 2 Connection to the AP Extension cable through ISO connectors.
- 3 Possibility to supply power to the amplifier via the direct cockpit current system, without the need of routing the cable through the engine compartment (with Audison Prima DCC solution).
- 4 Terminal to relaunch the ACC to turn on/off an external device\*.

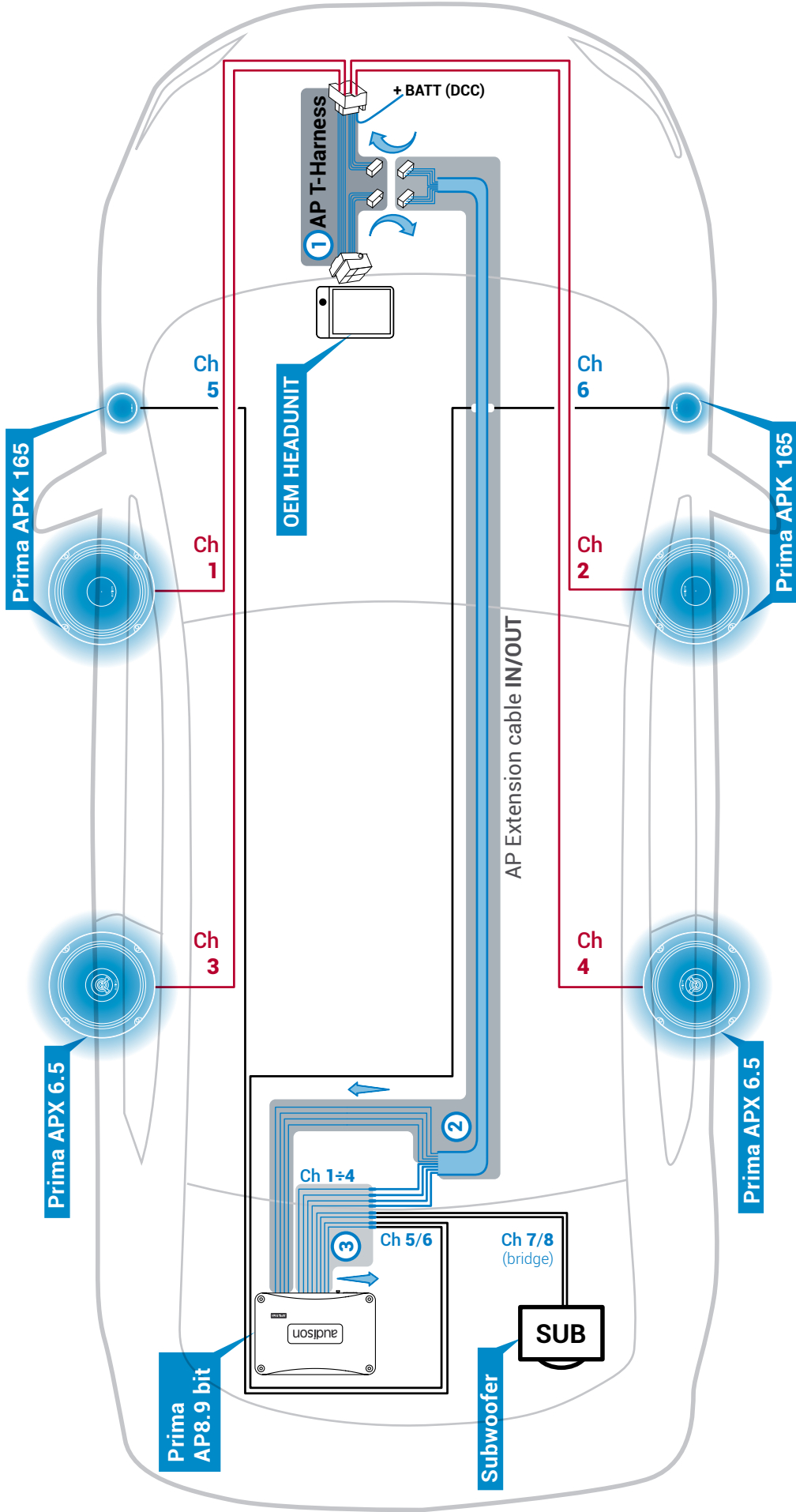
\*See compatibility list.



ITEM	DESCRIPTION
AP T-H BMW01	PRIMA T-HARNESS BMW
AP T-H AVS01	PRIMA T-HARNESS AUDI, VW 40PIN
AP T-H AVS02	PRIMA T-HARNESS AUDI, VW 52PIN
AP T-H TOL01	PRIMA T-HARNESS TOYOTA, LEXUS
AP T-H HON01	PRIMA T-HARNESS HONDA
AP T-H ISO01	PRIMA T-HARNESS ISO
AP T-H MBP01	PRIMA T-HARNESS MB, PORSCHE
AP T-H INI01	PRIMA T-HARNESS NISSAN/INFINITI
AP T-H CHR01	PRIMA T-HARNESS CHRYSLER 2007 ->
AP T-H FCA01	PRIMA T-HARNESS FIAT/CHRYSLER
AP T-H GMN01	PRIMA T-HARNESS GM 2009 ->
AP T-H FRD01	PRIMA T-HARNESS FORD 2002 ->
AP T-H GMO01	PRIMA T-HARNESS GM 2006 ->



### AP8.9 bit - Output configuration sheet - 2 way active Front + Rear + Sub (bridge)



#### Legend

- █ AP Plug & Play cable
- █ OEM cable
- █ After market cable

All specifications subject to change without notice. 15A

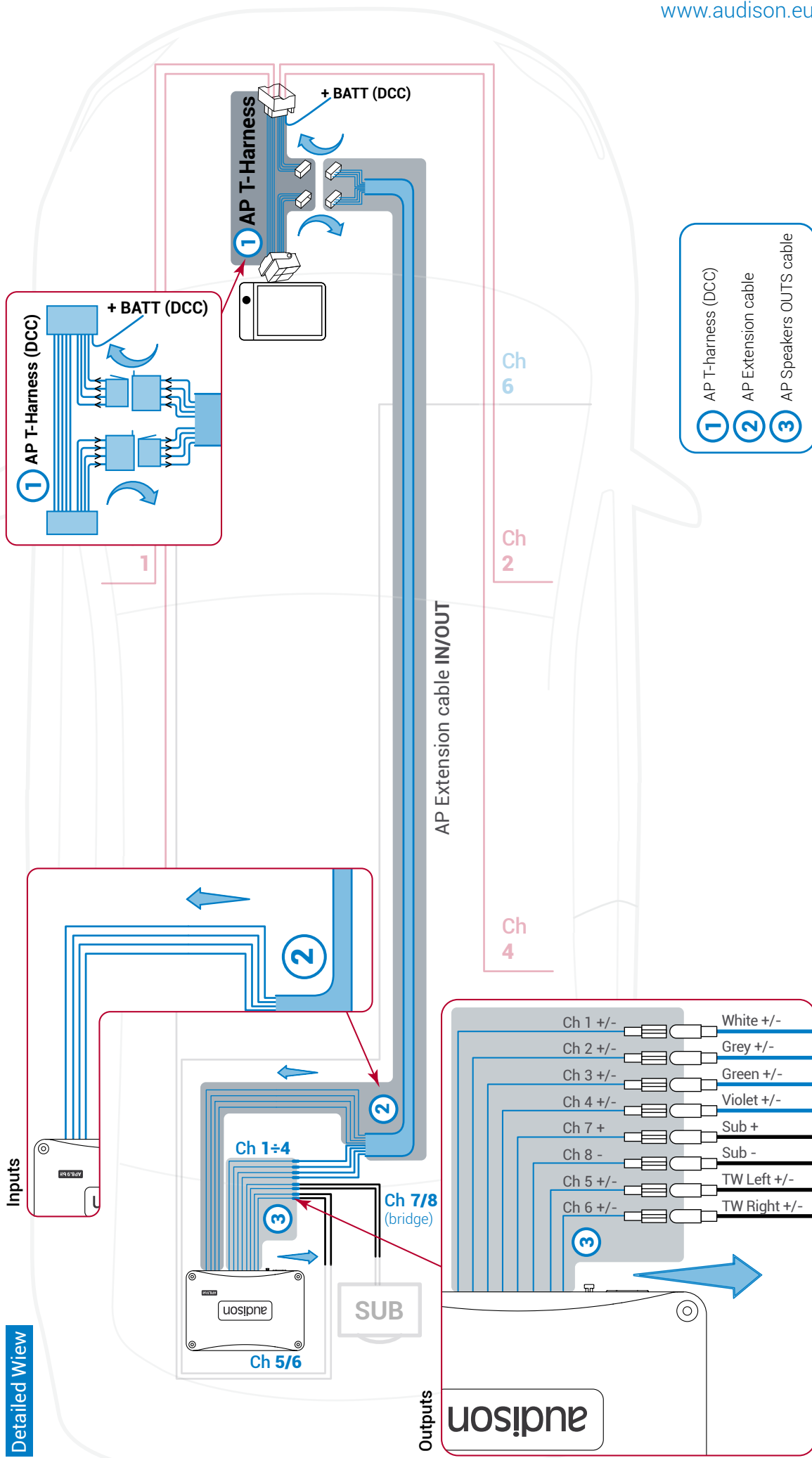
#### POWER CHANNEL CONFIGURATION

STEREO MODE		BRIDGE MODE
<b>CH1</b> 35 W @ 4 Ohm / 65 W @ 2 Ohm	<b>CH3</b> 35 W @ 4 Ohm / 65 W @ 2 Ohm	<b>CH5</b> 35 W @ 4 Ohm / 65 W @ 2 Ohm
<b>CH2</b> 35 W @ 4 Ohm / 65 W @ 2 Ohm	<b>CH4</b> 35 W @ 4 Ohm / 65 W @ 2 Ohm	<b>CH6</b> 35 W @ 4 Ohm / 65 W @ 2 Ohm
		<b>CH7+ / CH8</b> - 130 W @ 4 Ohm

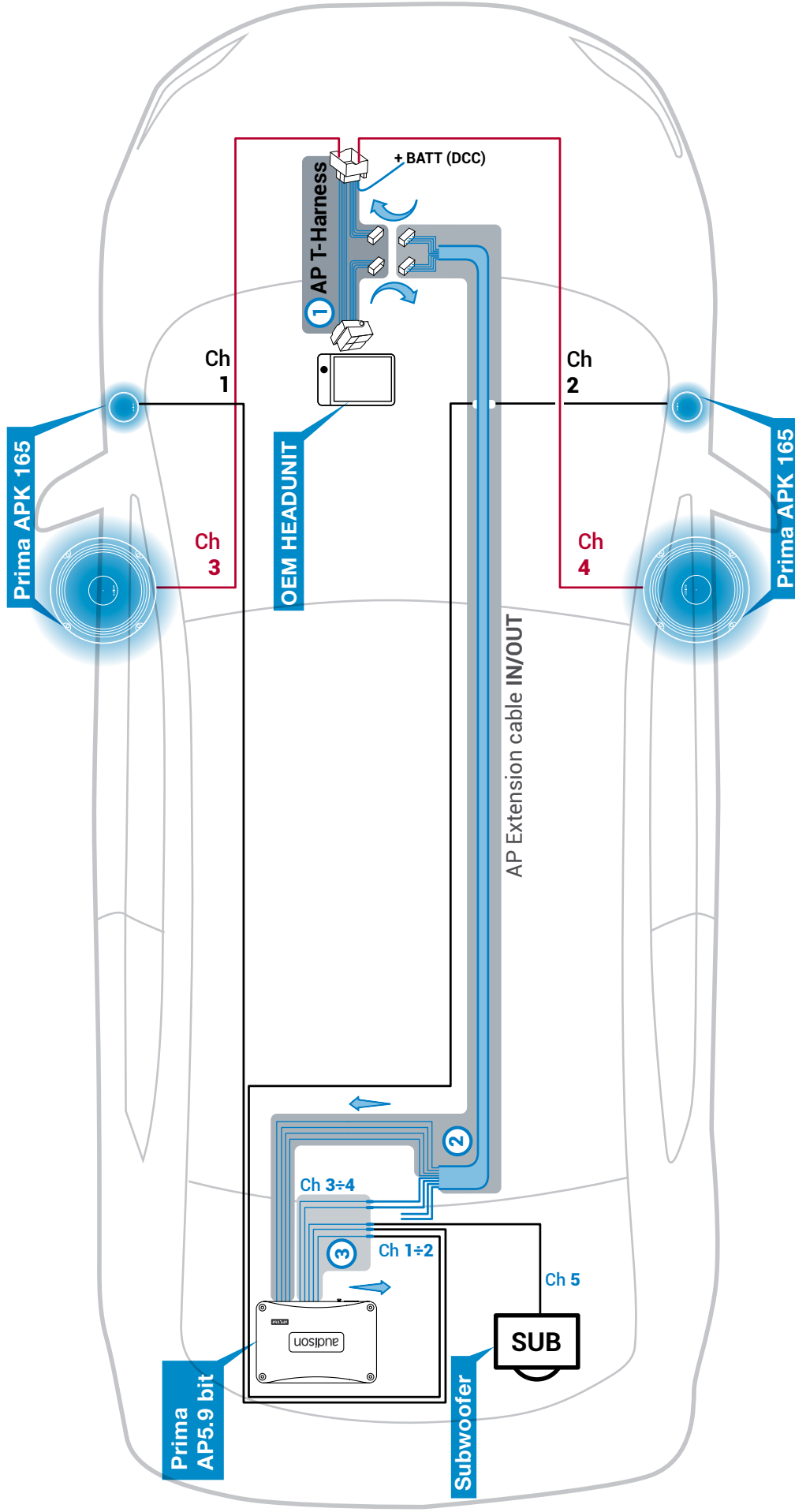


# AP8.9 bit - Output configuration sheet - 2 way active Front + Rear + Sub (bridge)

Detailed View



### AP5.9 bit - Output configuration sheet - 2 way active Front + Sub



#### Legend

- █ AP Plug & Play cable
- █ OEM cable
- █ After market cable

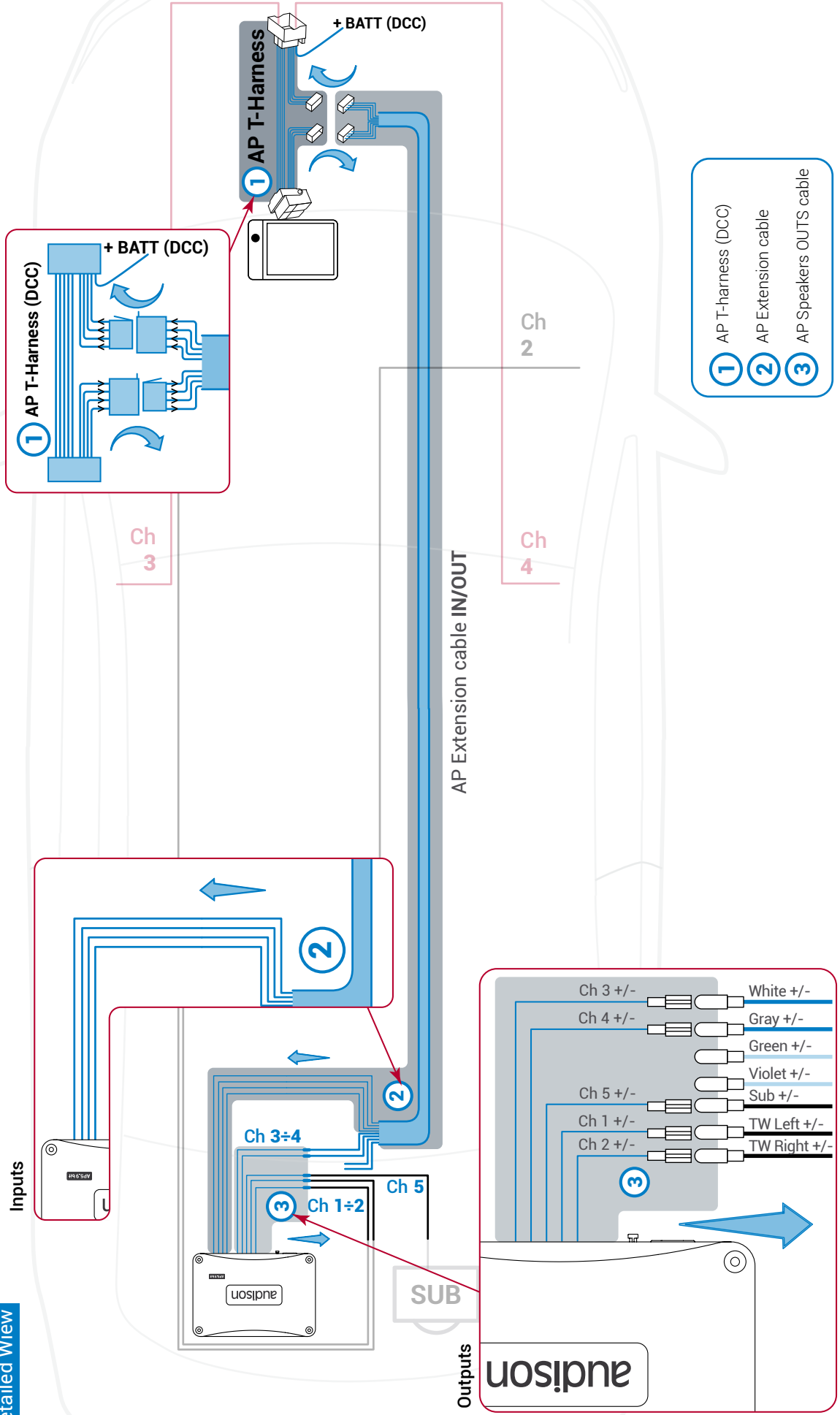
All specifications subject to change without notice. 15A

#### POWER CHANNEL CONFIGURATION

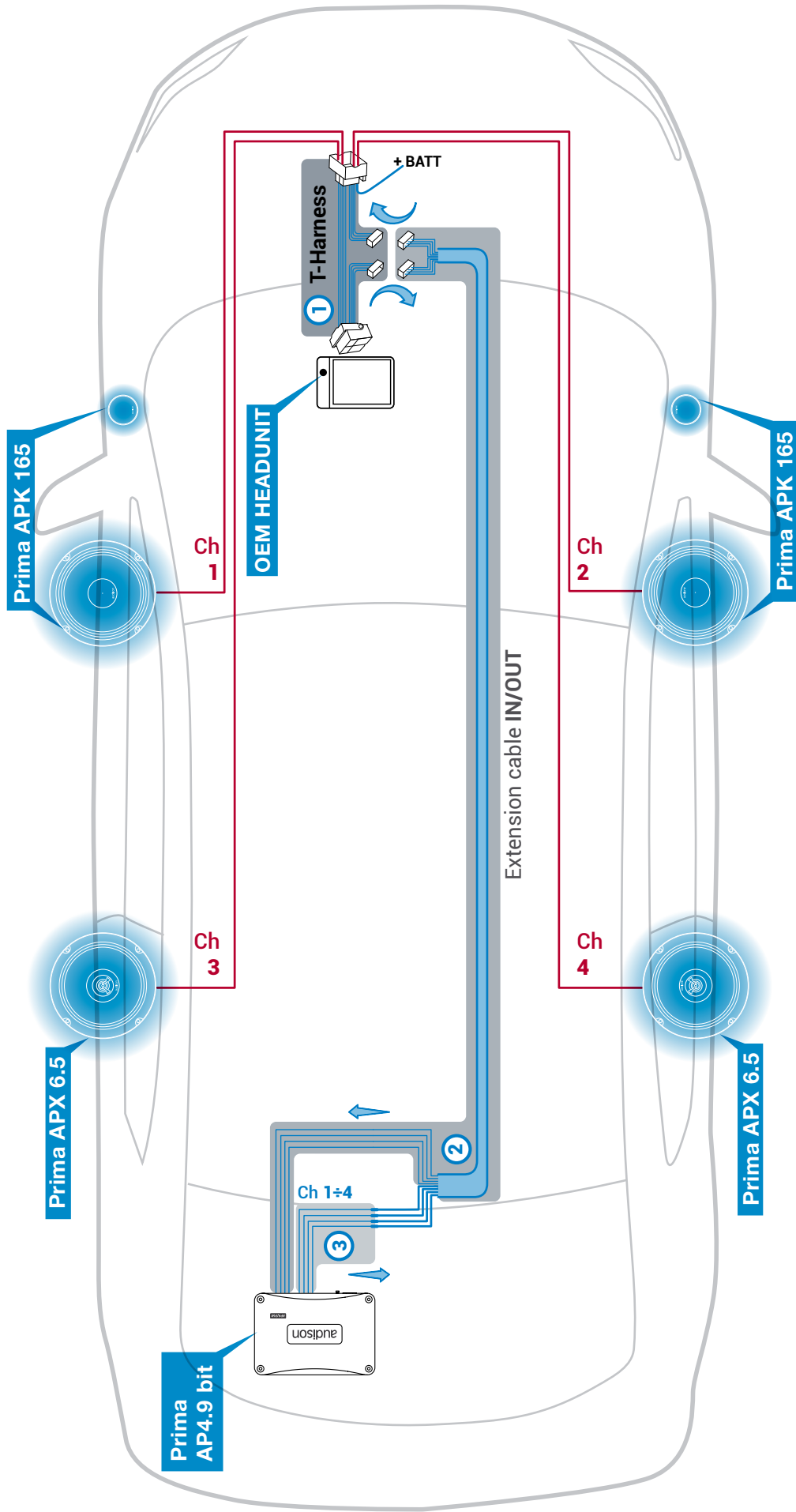
STEREO MODE		MONO
<b>CH1</b> 20 W @ 4 Ohm / 35 W @ 2 Ohm	<b>CH3</b> 50 W @ 4 Ohm / 85 W @ 2 Ohm	<b>CH5</b> 140 W @ 4 Ohm / 280 W @ 2 Ohm
<b>CH2</b> 20 W @ 4 Ohm / 35 W @ 2 Ohm	<b>CH4</b> 50 W @ 4 Ohm / 85 W @ 2 Ohm	

AP5.9 bit - Output configuration sheet - 2 way active Front + Sub

Detailed View



### AP4.9 bit - Output configuration sheet - Front + Rear



POWER CHANNEL CONFIGURATION	
STEREO MODE	
CH1	70 W @ 4 Ohm / 130 W @ 2 Ohm
CH3	70 W @ 4 Ohm / 130 W @ 2 Ohm
CH2	70 W @ 4 Ohm / 130 W @ 2 Ohm
CH4	70 W @ 4 Ohm / 130 W @ 2 Ohm

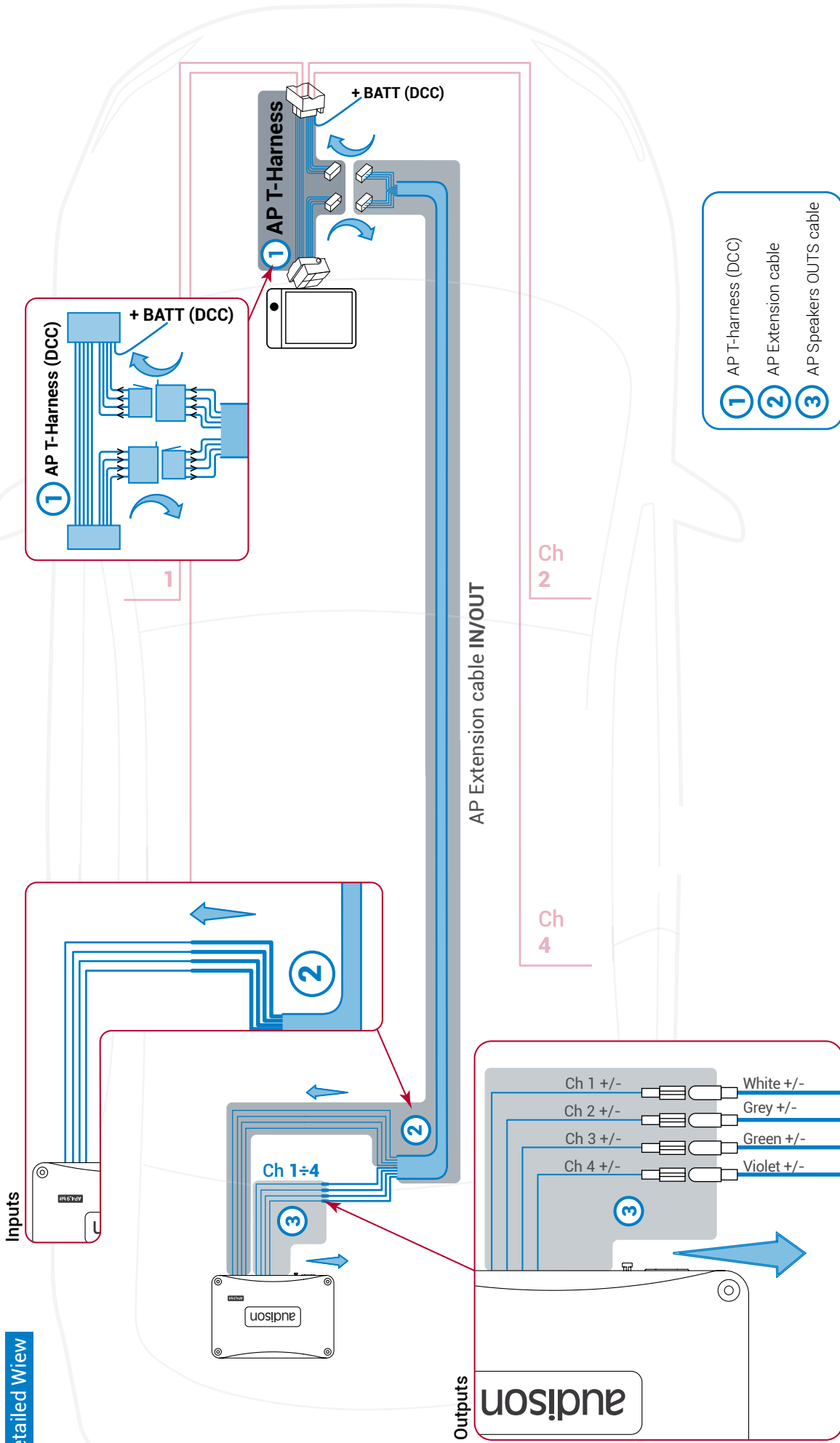
#### Legend

- AP Plug & Play cable
- OEM cable

All specifications subject to change without notice. 15A

#### AP4.9 bit - Output configuration sheet - Front + Rear

Detailed View



# T-Harness compatibility list

BRAND	CAR MODEL	FROM YEAR	TO YEAR	DESCRIPTION	ACC WIRE	AP T-HARNESS
ALFA ROMEO	156	2002	2008	WITH SEPARATE AMPLIFIER	YES	AP T-H ISO01
ALFA ROMEO	159	2008	2014	STANDARD SOUND SYSTEM	NO	AP T-H ISO01
ALFA ROMEO	159	2008	2014	WITH SEPARATE AMPLIFIER	NO	AP T-H ISO01
ALFA ROMEO	156 SPORTWAGON	2002	2008	WITH SEPARATE AMPLIFIER	YES	AP T-H ISO01
ALFA ROMEO	159 SPORTWAGON	2008	2014	STANDARD SOUND SYSTEM	NO	AP T-H ISO01
ALFA ROMEO	159 SPORTWAGON	2008	2014	WITH SEPARATE AMPLIFIER	NO	AP T-H ISO01
ALFA ROMEO	4C	2013	2014	STANDARD SOUND SYSTEM	YES	AP T-H ISO01
ALFA ROMEO	8C COMPETIZIONE	2008	2014	STANDARD SOUND SYSTEM	NO	AP T-H ISO01
ALFA ROMEO	BRERA	2008	2014	STANDARD SOUND SYSTEM	NO	AP T-H ISO01
ALFA ROMEO	BRERA	2008	2014	WITH SEPARATE AMPLIFIER	NO	AP T-H ISO01
ALFA ROMEO	CROSSWAGON	2005	2014	STANDARD SOUND SYSTEM	NO	AP T-H ISO01
ALFA ROMEO	GIULIETTA	2010	2013	STANDARD SOUND SYSTEM	NO	AP T-H ISO01
ALFA ROMEO	GIULIETTA	2010	2013	WITH NAVY SYSTEM AND BOSE AMPLIFIER	NO	AP T-H ISO01
ALFA ROMEO	GIULIETTA	2014	2014	STANDARD SOUND SYSTEM	NO	AP T-H FCA01
ALFA ROMEO	GT	2005	2014	STANDARD SOUND SYSTEM	YES	AP T-H ISO01
ALFA ROMEO	GT	2005	2014	WITH SEPARATE AMPLIFIER	YES	AP T-H ISO01
ALFA ROMEO	MITO	2008	2013	STANDARD SOUND SYSTEM	NO	AP T-H ISO01
ALFA ROMEO	MITO	2008	2013	WITH NAVY SYSTEM AND BOSE AMPLIFIER	NO	AP T-H ISO01
ALFA ROMEO	MITO	2014	2014	STANDARD SOUND SYSTEM	NO	AP T-H FCA01
ASTON MARTIN	DB 7	1998	2003	WITH SEPARATE AMPLIFIER (FULL BOSE)	NO	AP T-H ISO01
ASTON MARTIN	V8 VANTAGE	1992	1999	WITH SEPARATE AMPLIFIER (FULL BOSE)	NO	AP T-H ISO01
AUDI	A1	2010	2014	NEW QUADLOCK TYPE 52 PIN	NO	AP T-H AVS02
AUDI	A2	2005	2014		NO	AP T-H AVS01
AUDI	A2	2005	2014	SUB-WOOFER & REAR SYSTEM AMPLIFIED (HALF BOSE)	NO	AP T-H AVS01
AUDI	A2	2005	2014	WITH FULL BOSE SOUND SYSTEM	NO	AP T-H ISO01
AUDI	A3	2007	2014		NO	AP T-H AVS01
AUDI	A3	2007	2014	SUB-WOOFER & REAR SYSTEM AMPLIFIED (HALF BOSE)	NO	AP T-H AVS01
AUDI	A3	2007	2014	WITH FULL BOSE SOUND SYSTEM	NO	AP T-H ISO01
AUDI	A4	2004	2008		NO	AP T-H AVS01
AUDI	A4	2004	2008	SUB-WOOFER & REAR SYSTEM AMPLIFIED (HALF BOSE)	NO	AP T-H AVS01
AUDI	A4	2004	2008	WITH FULL BOSE SOUND SYSTEM	NO	AP T-H ISO01
AUDI	A4	2008	2014	WITHOUT MMI NAVIGATION (4 or 8 speakers)	NO	AP T-H AVS01
AUDI	A4	2010	2014	NEW QUADLOCK TYPE 52 PIN	NO	AP T-H AVS02
AUDI	A4 ALLROAD	2008	2014	STANDARD SOUND SYSTEM	NO	AP T-H AVS01
AUDI	A4 ALLROAD	2010	2014	NEW QUADLOCK TYPE 52 PIN	NO	AP T-H AVS02
AUDI	A4 CABRIO	2005	2014		NO	AP T-H AVS01

BRAND	CAR MODEL	FROM YEAR	TO YEAR	DESCRIPTION	ACC WIRE	AP T-HARNESS
AUDI	A5	2008	2014	WITHOUT MMI NAVIGATION (4 or 8 speakers)	NO	AP T-H AVS01
AUDI	A5	2010	2014	NEW QUADLOCK TYPE 52 PIN	NO	AP T-H AVS02
AUDI	A6	2004	2008	MMI BASIC (4 or 8 speakers)	NO	AP T-H AVS01
AUDI	A6	2011	2014	RADIO SYSTEM (RMC) WITH 8 SPEAKERS	NO	AP T-H AVS02
AUDI	A6 ALLROAD	2006	2008	MMI BASIC (4 or 8 speakers)	NO	AP T-H AVS01
AUDI	A6 HYBRID	2011	2014	RADIO SYSTEM (RMC) WITH 8 SPEAKERS	NO	AP T-H AVS02
AUDI	A7 SPORTBACK	2010	2014	RADIO SYSTEM (RMC) WITH 8 SPEAKERS	NO	AP T-H AVS02
AUDI	Q3	2011	2014	WITH CHORUS RADIO	NO	AP T-H AVS01
AUDI	Q5	2008	2014	WITHOUT MMI NAVIGATION (4 or 8 speakers)	NO	AP T-H AVS01
AUDI	Q5	2011	2014	NEW QUADLOCK TYPE 52 PIN	NO	AP T-H AVS02
AUDI	Q7	2006	2014	MMI BASIC (8 speakers)	NO	AP T-H AVS01
AUDI	TT	2006	2014	CHORUS RADIO	NO	AP T-H AVS01
AUDI	TT	2006	2014	SUB-WOOFER & REAR SYSTEM AMPLIFIED (HALF BOSE)	NO	AP T-H AVS01
AUDI	TT	2006	2014	WITH FULL BOSE SOUND SYSTEM	NO	AP T-H ISO01
BENTLEY	ARNAGE	1998	2008	STANDARD SOUND SYSTEM	YES	AP T-H ISO01
BENTLEY	ARNAGE	1998	2008	WITH SEPARATE AMPLIFIER	YES	AP T-H ISO01
BENTLEY	AZURE	1995	2003	STANDARD SOUND SYSTEM	YES	AP T-H ISO01
BENTLEY	BROOKLANDS	1992	1998	STANDARD SOUND SYSTEM	YES	AP T-H ISO01
BENTLEY	CONTINENTAL	1991	2003	STANDARD SOUND SYSTEM	YES	AP T-H ISO01
BENTLEY	CORNICHE	1971	1984	STANDARD SOUND SYSTEM	YES	AP T-H ISO01
BENTLEY	EIGHT	1984	1992	STANDARD SOUND SYSTEM	YES	AP T-H ISO01
BENTLEY	MULSANNE	1987	1992	STANDARD SOUND SYSTEM	YES	AP T-H ISO01
BENTLEY	TURBO	1986	1998	STANDARD SOUND SYSTEM	YES	AP T-H ISO01
BMW	MINI ONE/ CLUBMAN/COOPER/ COOPER S/ COUNTRYMAN	2010	2014	STANDARD HIFI SOUND SYSTEM (NEW QUADLOCK TYPE IN ONE PIECE)	NO	T-H BMW01
BMW	MINI ONE/COOPER/COOPER S	2003	2004	STANDARD SOUND SYSTEM	YES	T-H BMW01
BMW	MINI ONE/COOPER/COOPER S	2005	2009	STANDARD HIFI SOUND SYSTEM (NEW QUADLOCK TYPE IN ONE PIECE)	NO	T-H BMW01
BMW	SERIE 1 (E87)	2004	2010	STANDARD HIFI SOUND SYSTEM (NEW QUADLOCK TYPE IN ONE PIECE)	NO	T-H BMW01
BMW	SERIE 1 (F20)	2011	2014	STANDARD HIFI SOUND SYSTEM (NEW QUADLOCK TYPE IN ONE PIECE)	NO	T-H BMW01
BMW	SERIE 2	2013	2014	STANDARD HIFI SOUND SYSTEM (NEW QUADLOCK TYPE IN ONE PIECE)	NO	T-H BMW01
BMW	SERIE 3 (E46)	2001	2005	STANDARD SOUND SYSTEM	YES	T-H BMW01
BMW	SERIE 3 (E90/E91/E92/E93)	2005	2011	STANDARD HIFI SOUND SYSTEM (NEW QUADLOCK TYPE IN ONE PIECE)	NO	T-H BMW01
BMW	SERIE 3 (F30)	2012	2014	STANDARD HIFI SOUND SYSTEM (NEW QUADLOCK TYPE IN ONE PIECE)	NO	T-H BMW01
BMW	SERIE 4	2013	2014	STANDARD HIFI SOUND SYSTEM (NEW QUADLOCK TYPE IN ONE PIECE)	NO	T-H BMW01
BMW	SERIE 4 GC	2013	2014	STANDARD HIFI SOUND SYSTEM (NEW QUADLOCK TYPE IN ONE PIECE)	NO	T-H BMW01
BMW	SERIE 5 (E39)	2001	2003	STANDARD SOUND SYSTEM	YES	T-H BMW01

BRAND	CAR MODEL	FROM YEAR	TO YEAR	DESCRIPTION	ACC WIRE	AP T-HARNESS
BMW	SERIE 5 (E60/E61)	2003	2009	STANDARD HIFI SOUND SYSTEM (NEW QUADLOCK TYPE IN ONE PIECE)	NO	T-H BMW01
BMW	SERIE 5 (F07/F10/F11)	2010	2014	STANDARD HIFI SOUND SYSTEM (NEW QUADLOCK TYPE IN ONE PIECE)	NO	T-H BMW01
BMW	SERIE 6 (E63/E64)	2004	2010	STANDARD HIFI SOUND SYSTEM (NEW QUADLOCK TYPE IN ONE PIECE)	NO	T-H BMW01
BMW	SERIE 6 (F12/F13)	2011	2014	STANDARD HIFI SOUND SYSTEM (NEW QUADLOCK TYPE IN ONE PIECE)	NO	T-H BMW01
BMW	SERIE 7 (E65/E66)	2001	2005	STANDARD SOUND SYSTEM	YES	T-H BMW01
BMW	SERIE 7 (E65/E66)	2005	2009	STANDARD HIFI SOUND SYSTEM (NEW QUADLOCK TYPE IN ONE PIECE)	NO	T-H BMW01
BMW	SERIE 7 HYBRID (F03/F04)	2010	2014	STANDARD HIFI SOUND SYSTEM (NEW QUADLOCK TYPE IN ONE PIECE)	NO	T-H BMW01
BMW	X1 (E84)	2009	2014	STANDARD HIFI SOUND SYSTEM (NEW QUADLOCK TYPE IN ONE PIECE)	NO	T-H BMW01
BMW	X3 (E83)	2005	2010	STANDARD HIFI SOUND SYSTEM (NEW QUADLOCK TYPE IN ONE PIECE)	NO	T-H BMW01
BMW	X3 (F25)	2010	2014	STANDARD HIFI SOUND SYSTEM (NEW QUADLOCK TYPE IN ONE PIECE)	NO	T-H BMW01
BMW	X5 (E53)	2000	2005	STANDARD SOUND SYSTEM	YES	T-H BMW01
BMW	X5 (E70)	2005	2013	STANDARD HIFI SOUND SYSTEM (NEW QUADLOCK TYPE IN ONE PIECE)	NO	T-H BMW01
BMW	X5 (F15)	2013	2014	STANDARD HIFI SOUND SYSTEM (NEW QUADLOCK TYPE IN ONE PIECE)	NO	T-H BMW01
BMW	X6 (E71)	2008	2014	STANDARD HIFI SOUND SYSTEM (NEW QUADLOCK TYPE IN ONE PIECE)	NO	T-H BMW01
BMW	Z4 (E85/E86)	2005	2008	STANDARD HIFI SOUND SYSTEM (NEW QUADLOCK TYPE IN ONE PIECE)	NO	T-H BMW01
BMW	Z4 (E89)	2009	2014	STANDARD HIFI SOUND SYSTEM (NEW QUADLOCK TYPE IN ONE PIECE)	NO	T-H BMW01
BMW	Z8 (E52)	2000	2014	STANDARD SOUND SYSTEM	YES	T-H BMW01
CADILLAC	BLS	2006	2014	WITH BOSE SOUND SYSTEM	NO	AP T-H ISO01
CADILLAC	CTS	2003	2007	WITH SEPARATE AMPLIFIER	NO	AP T-H ISO01
CADILLAC	CTS	2007	2014	WITH BOSE SOUND SYSTEM	NO	AP T-H ISO01
CADILLAC	CTS	2007	2014	WITHOUT BOSE SOUND SYSTEM	NO	AP T-H GMN01
CADILLAC	DTS	2006	2014	WITH BOSE SOUND SYSTEM	NO	AP T-H ISO01
CADILLAC	ESCALADE	2007	2014	WITH SEPARATE AMPLIFIER	NO	AP T-H ISO01
CADILLAC	SRX	2004	2007	WITH SEPARATE AMPLIFIER	NO	AP T-H ISO01
CADILLAC	SRX	2007	2014	WITH BOSE 8 SPEAKER SOUND SYSTEM	NO	AP T-H ISO01
CADILLAC	SRX	2010	2014	WITH SEPARATE AMPLIFIER	NO	AP T-H ISO01
CADILLAC	SRX	2010	2014	ALL SOUND SYSTEMS	NO	AP T-H GMN01
CADILLAC	STS	2005	2014	WITH SEPARATE AMPLIFIER	NO	AP T-H ISO01
CHEVROLET	AVALANCE (US MODEL)	2007	2014	WITH SEPARATE AMPLIFIER	NO	AP T-H ISO01
CHEVROLET	AVALANCE (US MODEL)	2007	2014		YES	AP T-H GM001
CHEVROLET	AVEO	2008	2014		YES	AP T-H GM001
CHEVROLET	AVEO (T300)	2011	2014	WITH SEPARATE AMPLIFIER	NO	AP T-H ISO01
CHEVROLET	AVEO (T300)	2011	2014	WITHOUT SEPARATE AMPLIFIER	NO	AP T-H GMN01
CHEVROLET	CAMARO	2009	2014	WITH SEPARATE AMPLIFIER	NO	AP T-H ISO01



BRAND	CAR MODEL	FROM YEAR	TO YEAR	DESCRIPTION	ACC WIRE	AP T-HARNESS
CHEVROLET	CAMARO	2009	2014	WITHOUT SEPARATE AMPLIFIER	NO	AP T-H GMN01
CHEVROLET	CAPTIVA	2006	2012		YES	AP T-H GM001
CHEVROLET	CAPTIVA	2013	2014	WITHOUT SEPARATE AMPLIFIER	NO	AP T-H GMN01
CHEVROLET	CORVETTE	2005	2014	WITH BOSE SOUND SYSTEM	NO	AP T-H ISO01
CHEVROLET	CRUZE	2009	2014		NO	AP T-H GMN01
CHEVROLET	EPICA	2006	2014		YES	AP T-H GM001
CHEVROLET	EQUINOX (US MODEL)	2007	2009	WITH SEPARATE AMPLIFIER	NO	AP T-H ISO01
CHEVROLET	EQUINOX (US MODEL)	2007	2009	WITHOUT SEPARATE AMPLIFIER	YES	AP T-H GM001
CHEVROLET	EQUINOX (US MODEL)	2009	2014	WITH SEPARATE AMPLIFIER	NO	AP T-H ISO01
CHEVROLET	EQUINOX (US MODEL)	2009	2014	WITHOUT SEPARATE AMPLIFIER	NO	AP T-H GMN01
CHEVROLET	EXPRESS (US MODEL)	2008	2014		YES	AP T-H GM001
CHEVROLET	GENTRA	2007	2014		YES	AP T-H GM001
CHEVROLET	HHR	2006	2014	WITHOUT SEPARATE AMPLIFIER	YES	AP T-H GM001
CHEVROLET	IMPALA (US MODEL)	2006	2014	WITH SEPARATE AMPLIFIER	NO	AP T-H ISO01
CHEVROLET	IMPALA (US MODEL)	2006	2014		YES	AP T-H GM001
CHEVROLET	KALOS	2007	2014		YES	AP T-H GM001
CHEVROLET	LACETTI	2006	2014		YES	AP T-H GM001
CHEVROLET	MALIBU (US MODEL)	2012	2014	WITH SEPARATE AMPLIFIER	NO	AP T-H ISO01
CHEVROLET	MALIBU (US MODEL)	2012	2014	WITHOUT SEPARATE AMPLIFIER	NO	AP T-H GMN01
CHEVROLET	MONTECARLO (US MODEL)	2006	2007	WITH SEPARATE AMPLIFIER	NO	AP T-H ISO01
CHEVROLET	MONTECARLO (US MODEL)	2006	2007		YES	AP T-H GM001
CHEVROLET	NUBIRA	2006	2014		YES	AP T-H GM001
CHEVROLET	ORLANDO	2011	2014		NO	AP T-H GMN01
CHEVROLET	SILVERADO (US MODEL)	2007	2014	WITH SEPARATE AMPLIFIER	NO	AP T-H ISO01
CHEVROLET	SILVERADO (US MODEL)	2007	2014		YES	AP T-H GM001
CHEVROLET	SPARK	2013	2014		NO	AP T-H GMN01
CHEVROLET	SUBURBAN (US MODEL)	2007	2014	WITH SEPARATE AMPLIFIER	NO	AP T-H ISO01
CHEVROLET	SUBURBAN (US MODEL)	2007	2014		YES	AP T-H GM001
CHEVROLET	TACUMA	2003	2014		YES	AP T-H ISO01
CHEVROLET	TAHOE (US MODEL)	2007	2014	WITH SEPARATE AMPLIFIER	NO	AP T-H ISO01
CHEVROLET	TOSCA	2006	2014		YES	AP T-H GM001
CHEVROLET	TRAVERSE (US MODEL)	2008	2014		NO	AP T-H ISO01
CHEVROLET	TRAVERSE (US MODEL)	2008	2014		YES	AP T-H GM001
CHEVROLET	TRAX	2013	2014	WITHOUT SEPARATE AMPLIFIER	NO	AP T-H GMN01
CHEVROLET	VOLT (US MODEL)	2011	2014	WITH SEPARATE AMPLIFIER	NO	AP T-H ISO01
CHEVROLET	VOLT (US MODEL)	2011	2014	WITHOUT SEPARATE AMPLIFIER	NO	AP T-H GMN01
CHRYSLER	200	2011	2014	WITHOUT INFINITY SOUND SYSTEM	NO	AP T-H CHR01
CHRYSLER	300	2008	2014	WITHOUT INFINITY SOUND SYSTEM	NO	AP T-H CHR01
CHRYSLER	ASPEN	2008	2009	WITHOUT SEPARATE AMPLIFIER	NO	AP T-H CHR01
CHRYSLER	CROSSFIRE	2004	2008	WITH SEPARATE AMPLIFIER	YES	AP T-H ISO01
CHRYSLER	GRAND VOYAGER	2001	2004	WITH SEPARATE AMPLIFIER	YES	AP T-H ISO01

BRAND	CAR MODEL	FROM YEAR	TO YEAR	DESCRIPTION	ACC WIRE	AP T-HARNESS
CHRYSLER	GRAND VOYAGER	2008	2014	WITHOUT INFINITY SOUND SYSTEM	NO	AP T-H CHR01
CHRYSLER	PACIFICA	2003	2005	WITH SEPARATE AMPLIFIER	YES	AP T-H ISO01
CHRYSLER	SEBRING	2001	2006	WITH SEPARATE AMPLIFIER	YES	AP T-H ISO01
CHRYSLER	SEBRING	2007	2014	WITHOUT SEPARATE AMPLIFIER	NO	AP T-H CHR01
CHRYSLER	TOWN & COUNTRY	2001	2004	WITH SEPARATE AMPLIFIER	YES	AP T-H ISO01
CHRYSLER	TOWN & COUNTRY	2008	2014	WITHOUT SEPARATE AMPLIFIER	NO	AP T-H CHR01
CHRYSLER	VIPER	2002	2014		YES	AP T-H ISO01
CHRYSLER	VOYAGER	2001	2004	WITH SEPARATE AMPLIFIER	YES	AP T-H ISO01
CHRYSLER	VOYAGER	2008	2014	WITHOUT SEPARATE AMPLIFIER	NO	AP T-H CHR01
CITROEN	C1	2005	2013		YES	AP T-H ISO01
CITROEN	C3	2005	2014	WITH SEPARATE AMPLIFIER	YES	AP T-H ISO01
CITROEN	C4	2005	2014	WITH SEPARATE AMPLIFIER	YES	AP T-H ISO01
CITROEN	C4 GRAND PICASSO	2006	2014	WITH SEPARATE AMPLIFIER	NO	AP T-H ISO01
CITROEN	C4 PICASSO	2006	2014	WITH SEPARATE AMPLIFIER	NO	AP T-H ISO01
CITROEN	C5	2004	2014	WITH SEPARATE AMPLIFIER	NO	AP T-H ISO01
CITROEN	C6	2004	2014	WITH SEPARATE AMPLIFIER	YES	AP T-H ISO01
CITROEN	DS4	2013	2014	WITH SEPARATE AMPLIFIER	YES	AP T-H ISO01
DACIA	DUSTER	2007	2011		YES	AP T-H ISO01
DACIA	LOGAN	2007	2011		YES	AP T-H ISO01
DACIA	SANDERO	2007	2011		YES	AP T-H ISO01
DODGE	AVANGER	2007	2014	WITHOUT SEPARATE AMPLIFIER	NO	AP T-H CHR01
DODGE	CALIBER	2009	2014	WITHOUT SEPARATE AMPLIFIER	NO	AP T-H CHR01
DODGE	CARAVAN	2001	2004	WITH SEPARATE AMPLIFIER	YES	AP T-H ISO01
DODGE	CARAVAN	2008	2014		NO	AP T-H CHR01
DODGE	CHALLENGER	2008	2014		NO	AP T-H CHR01
DODGE	CHARGER	2008	2014	WITHOUT SEPARATE AMPLIFIER	NO	AP T-H CHR01
DODGE	DAKOTA	2002	2007	WITH SEPARATE AMPLIFIER	YES	AP T-H ISO01
DODGE	DAKOTA	2008	2014	WITHOUT SEPARATE AMPLIFIER	NO	AP T-H CHR01
DODGE	DURANGO	2002	2005	WITH SEPARATE AMPLIFIER	NO	AP T-H ISO01
DODGE	DURANGO	2008	2009	WITHOUT SEPARATE AMPLIFIER	NO	AP T-H CHR01
DODGE	GRAND CARAVAN	2001	2004	WITH SEPARATE AMPLIFIER	NO	AP T-H ISO01
DODGE	GRAND CARAVAN	2007	2014	WITHOUT SEPARATE AMPLIFIER	NO	AP T-H CHR01
DODGE	JOURNEY	2008	2014	WITHOUT SEPARATE AMPLIFIER	NO	AP T-H CHR01
DODGE	MAGNUM	2008	2014	WITHOUT SEPARATE AMPLIFIER	NO	AP T-H CHR01
DODGE	NITRO	2008	2014	WITHOUT SEPARATE AMPLIFIER	NO	AP T-H CHR01
DODGE	RAM	2002	2004	WITH SEPARATE AMPLIFIER	NO	AP T-H ISO01
DODGE	RAM	2008	2014	WITHOUT SEPARATE AMPLIFIER	NO	AP T-H CHR01
DODGE	VAN	2002	2014	WITH SEPARATE AMPLIFIER	NO	AP T-H ISO01
DODGE	VIPER	2002	2014	WITH SEPARATE AMPLIFIER	NO	AP T-H ISO01
FIAT	500	2007	2014		NO	AP T-H ISO01
FIAT	500L	2013	2014	STANDARD SOUND SYSTEM	NO	AP T-H FCA01

BRAND	CAR MODEL	FROM YEAR	TO YEAR	DESCRIPTION	ACC WIRE	AP T-HARNESS
FIAT	ALBEA	2002	2014		YES	AP T-H ISO01
FIAT	BRAVO	2007	2014		NO	AP T-H ISO01
FIAT	GRANDE PUNTO	2005	2014		YES	AP T-H ISO01
FIAT	IDEA	2004	2014		YES	AP T-H ISO01
FIAT	LINEA	2007	2014		YES	AP T-H ISO01
FIAT	PANDA	2004	2011		YES	AP T-H ISO01
FIAT	PANDA	2012	2014		YES	AP T-H ISO01
FIAT	PUNTO	2005	2014		YES	AP T-H ISO01
FIAT	STILO	2001	2014		YES	AP T-H ISO01
FORD	CROWN VICTORIA	2003	2014		YES	AP T-H FRD01
FORD	EDGE	2006	2010		YES	AP T-H FRD01
FORD	ESCAPE	2005	2007		YES	AP T-H FRD01
FORD	EXPEDITION	2004	2014		YES	AP T-H FRD01
FORD	EXPLORER	2005	2014		YES	AP T-H FRD01
FORD	F150	2004	2014		YES	AP T-H FRD01
FORD	F250	2005	2014		YES	AP T-H FRD01
FORD	F350	2005	2014		YES	AP T-H FRD01
FORD	F450	2005	2014		YES	AP T-H FRD01
FORD	F550	2005	2014		YES	AP T-H FRD01
FORD	FIESTA	2002	2005		YES	AP T-H FRD01
FORD	FIVE HUNDRED	2005	2007		YES	AP T-H FRD01
FORD	FOCUS	2002	2005		YES	AP T-H FRD01
FORD	FREESTAR	2005	2014		YES	AP T-H FRD01
FORD	FREESTYLE	2005	2014		YES	AP T-H FRD01
FORD	MAVERIK	2001	2004		YES	AP T-H ISO01
FORD	MAVERIK	2005	2014	7 SPEAKER SOUND SYSTEM	YES	AP T-H FRD01
FORD	MUSTANG	2005	2014		YES	AP T-H FRD01
FORD	RANGER	2004	2006		YES	AP T-H FRD01
FORD	TAURUS	2008	2014		YES	AP T-H FRD01
FORD	THUNDERBIRD	2002	2005		YES	AP T-H FRD01
GM	ACADIA	2007	2014	WITH SEPARATE AMPLIFIER	NO	AP T-H ISO01
GM	ACADIA	2007	2014	WITHOUT SEPARATE AMPLIFIER	YES	AP T-H GM001
GM	ENVOY	2002	2014	WITH SEPARATE AMPLIFIER	NO	AP T-H ISO01
GM	SAVANNA	2008	2014	WITHOUT SEPARATE AMPLIFIER	YES	AP T-H GM001
GM	SIERRA	2003	2007	WITH SEPARATE AMPLIFIER	NO	AP T-H ISO01
GM	SIERRA	2007	2014	WITH SEPARATE AMPLIFIER	NO	AP T-H ISO01
GM	TERRAIN	2009	2014	WITH SEPARATE AMPLIFIER	NO	AP T-H ISO01
GM	TERRAIN	2009	2014	WITHOUT SEPARATE AMPLIFIER	YES	AP T-H GM001
GM	TERRAIN (MIDDLE EAST MODEL)	2010	2014		NO	AP T-H GMN01
GM	YUKON	2007	2014	WITH SEPARATE AMPLIFIER	NO	AP T-H ISO01
GM	YUKON	2007	2014	WITHOUT SEPARATE AMPLIFIER	YES	AP T-H GM001

BRAND	CAR MODEL	FROM YEAR	TO YEAR	DESCRIPTION	ACC WIRE	AP T-HARNESS
HONDA	ACCORD	2008	2014		YES	AP T-H HON01
HONDA	ACURA CL	2001	2003	WITH SEPARATE AMPLIFIER	NO	AP T-H ISO01
HONDA	ACURA MDX	2001	2006	WITH SEPARATE AMPLIFIER	NO	AP T-H ISO01
HONDA	ACURA RL	2004	2014	WITH SEPARATE AMPLIFIER	NO	AP T-H ISO01
HONDA	ACURA RSX	2002	2014	WITH SEPARATE AMPLIFIER	NO	AP T-H ISO01
HONDA	ACURA TL	2004	2008	WITH SEPARATE AMPLIFIER	NO	AP T-H ISO01
HONDA	ACURA TSX	2004	2008	WITH SEPARATE AMPLIFIER	NO	AP T-H ISO01
HONDA	BALLADE	2011	2014		YES	AP T-H HON01
HONDA	CITY	2008	2014		YES	AP T-H HON01
HONDA	CIVIC	2012	2014		YES	AP T-H HON01
HONDA	CR-V	2007	2012	WITH SEPARATE AMPLIFIER	YES	AP T-H ISO01
HONDA	CR-V	2013	2014		YES	AP T-H HON01
HONDA	CR-V	2013	2014	WITH SEPARATE AMPLIFIER	YES	AP T-H ISO01
HONDA	CR-Z	2010	2014		YES	AP T-H HON01
HONDA	ELEMENT	2003	2014	WITH SEPARATE AMPLIFIER	YES	AP T-H ISO01
HONDA	FIT	2008	2014		YES	AP T-H HON01
HONDA	FIT ARIA	2008	2014		YES	AP T-H HON01
HONDA	INSIGHT	2009	2014		YES	AP T-H HON01
HONDA	INSIGHT	2009	2014	WITH OEM AMPLIFIER (READY FOR TEST)	YES	AP T-H ISO01
HONDA	JAZZ	2008	2014		YES	AP T-H HON01
HONDA	JAZZ	2008	2014	WITH OEM AMPLIFIER (READY FOR TEST)	YES	AP T-H ISO01
HONDA	MDX	2001	2006	WITH SEPARATE AMPLIFIER	YES	AP T-H ISO01
HONDA	MR-V	2008	2014		YES	AP T-H HON01
HONDA	ODYSSEY	2005	2008	WITH SEPARATE AMPLIFIER	NO	AP T-H ISO01
HONDA	ODYSSEY	2008	2014	6CD CHANGER	YES	AP T-H HON01
HONDA	PILOT	2008	2014		YES	AP T-H HON01
HONDA	PILOT	2008	2014	WITH OEM AMPLIFIER (READY FOR TEST)	YES	AP T-H ISO01
HONDA	RIDGELINE	2009	2014		YES	AP T-H HON01
HUMMER	H-2	2003	2008	WITH SEPARATE AMPLIFIER	NO	AP T-H ISO01
HUMMER	H-2	2008	2010	WITHOUT SEPARATE AMPLIFIER	YES	AP T-H GM001
HUMMER	H-3	2005	2010	WITH SEPARATE AMPLIFIER	NO	AP T-H ISO01
INFINITY	FX 35	2004	2014	WITH SEPARATE AMPLIFIER	YES	AP T-H ISO01
INFINITY	FX 45	2003	2014	WITH SEPARATE AMPLIFIER	YES	AP T-H ISO01
INFINITY	G 35	2002	2008	WITH SEPARATE AMPLIFIER	YES	AP T-H ISO01
INFINITY	G 35	2008	2014	WITH SEPARATE AMPLIFIER	YES	AP T-H ISO01
INFINITY	G 35	2008	2014	WITHOUT AMPLIFIER	YES	AP T-H INI01
INFINITY	G 37	2008	2014	WITH SEPARATE AMPLIFIER	YES	AP T-H ISO01
INFINITY	G 37	2008	2014	WITHOUT AMPLIFIER	YES	AP T-H INI01
INFINITY	I 35	2001	2005	WITH SEPARATE AMPLIFIER	YES	AP T-H ISO01
INFINITY	M 35	2003	2014	WITH SEPARATE AMPLIFIER	YES	AP T-H ISO01
INFINITY	M 45	2002	2014	WITH SEPARATE AMPLIFIER	YES	AP T-H ISO01

BRAND	CAR MODEL	FROM YEAR	TO YEAR	DESCRIPTION	ACC WIRE	AP T-HARNESS
INFINITY	M SERIES ( Y51)	2011	2014	WITH SEPARATE AMPLIFIER	YES	AP T-H ISO01
INFINITY	Q 45	2001	2014	WITH SEPARATE AMPLIFIER	YES	AP T-H ISO01
INFINITY	QX 56	2004	2014	WITH SEPARATE AMPLIFIER	YES	AP T-H ISO01
JEEP	CHEROKEE	2002	2007	WITH SEPARATE AMPLIFIER	YES	AP T-H ISO01
JEEP	CHEROKEE	2008	2014	WITHOUT SEPARATE AMPLIFIER	NO	AP T-H CHR01
JEEP	COMMANDER	2008	2014	WITHOUT SEPARATE AMPLIFIER	NO	AP T-H CHR01
JEEP	COMPASS	2009	2014	WITHOUT SEPARATE AMPLIFIER	NO	AP T-H CHR01
JEEP	GRAND CHEROKEE	2002	2004	WITH SEPARATE AMPLIFIER	YES	AP T-H ISO01
JEEP	GRAND CHEROKEE	2008	2014	WITHOUT SEPARATE AMPLIFIER	NO	AP T-H CHR01
JEEP	LIBERTY	2002	2008	WITH SEPARATE AMPLIFIER	NO	AP T-H ISO01
JEEP	LIBERTY	2008	2014	WITHOUT SEPARATE AMPLIFIER	NO	AP T-H CHR01
JEEP	PATRIOT	2009	2014	WITHOUT SEPARATE AMPLIFIER	NO	AP T-H CHR01
JEEP	WRANGLER	2002	2007	WITH SEPARATE AMPLIFIER	NO	AP T-H ISO01
JEEP	WRANGLER	2007	2014		NO	AP T-H CHR01
JEEP	WRANGLER UNLIMITED	2005	2007	WITH SEPARATE AMPLIFIER	NO	AP T-H ISO01
JEEP	WRANGLER UNLIMITED	2007	2014	WITHOUT SEPARATE AMPLIFIER	NO	AP T-H CHR01
KIA	AMANTI	2003	2009	WITH SEPARATE AMPLIFIER	YES	AP T-H ISO01
KIA	BOREGO	2009	2014	WITH SEPARATE AMPLIFIER	NO	AP T-H ISO01
KIA	BORENGO	2009	2014	WITHOUT SEPARATE AMPLIFIER	YES	AP T-H ISO01
LAND/RANGE ROVER	FREELANDER	2003	2005		YES	AP T-H ISO01
LAND/RANGE ROVER	FREELANDER	2005	2006		YES	AP T-H FRD01
LAND/RANGE ROVER	RANGE ROVER	2002	2006		YES	AP T-H ISO01
LEXUS	CT200H	2011	2014	WITHOUT PREMIUM SOUND SYSTEM	YES	AP T-H TOL01
LEXUS	GX 470	2002	2014		YES	AP T-H TOL01
LEXUS	IS 200	1999	2005		YES	AP T-H TOL01
LEXUS	IS 300	2001	2005		YES	AP T-H TOL01
MASERATI	222	1992	1994		YES	AP T-H ISO01
MASERATI	430	1992	1994		YES	AP T-H ISO01
MASERATI	3200 GT	1998	2002		YES	AP T-H ISO01
MASERATI	4200 GT	2002	2007		YES	AP T-H ISO01
MASERATI	COUPE	2002	2007		YES	AP T-H ISO01
MASERATI	GHIBLI	1993	1999		YES	AP T-H ISO01
MASERATI	GRANSPORT	2004	2007		YES	AP T-H ISO01
MASERATI	GRANTURISMO	2007	2014		NO	AP T-H AVS01
MASERATI	QUATTROPORTE	1994	2003		YES	AP T-H ISO01
MASERATI	QUATTROPORTE	2004	2014		NO	AP T-H AVS01
MASERATI	SHAMAL	1992	1997		YES	AP T-H ISO01
MASERATI	SPYDER	2002	2007		YES	AP T-H ISO01

BRAND	CAR MODEL	FROM YEAR	TO YEAR	DESCRIPTION	ACC WIRE	AP T-HARNESS
MERCEDES	A (W169)	2004	2011	SYSTEM RADIO AUDIO 20/30	NO	AP T-H MBP01
MERCEDES	A (W176)	2012	2014	WITHOUT HARMAN/KARDON SOUND SYSTEM	NO	AP T-H MBP01
MERCEDES	AXOR	2002	2014		YES	AP T-H ISO01
MERCEDES	B (W245)	2004	2011	SYSTEM RADIO AUDIO 20/30	NO	AP T-H MBP01
MERCEDES	B (W246)	2012	2014	WITHOUT HARMAN/KARDON SOUND SYSTEM	NO	AP T-H MBP01
MERCEDES	C (W203)	2004	2008	SYSTEM RADIO AUDIO 20/30	NO	AP T-H MBP01
MERCEDES	C (W204)	2009	2014	STANDARD AUDIO SYSTEM	NO	AP T-H MBP01
MERCEDES	CL	2008	2014	STANDARD AUDIO SYSTEM	NO	AP T-H MBP01
MERCEDES	CLC	2008	2014		NO	AP T-H MBP01
MERCEDES	CLK (W209)	2004	2014	SYSTEM RADIO AUDIO 20/30	NO	AP T-H MBP01
MERCEDES	CLS (W218)	2011	2014	WITHOUT HARMAN/KARDON LOGIC7 SORROUND SOUND SYSTEM	NO	AP T-H MBP01
MERCEDES	CLS (W219)	2004	2010	SYSTEM RADIO AUDIO 20/30	NO	AP T-H MBP01
MERCEDES	E (W212)	2009	2014	STANDARD AUDIO SYSTEM	NO	AP T-H MBP01
MERCEDES	G (W463)	2007	2014	SYSTEM RADIO AUDIO 20/30	NO	AP T-H MBP01
MERCEDES	GL (X164)	2006	2011	STANDARD AUDIO SYSTEM	NO	AP T-H MBP01
MERCEDES	GL (X164)	2012	2014	WITHOUT HARMAN/KARDON SOUND SYSTEM	NO	AP T-H MBP01
MERCEDES	GLK (X204)	2008	2014	STANDARD AUDIO SYSTEM	NO	AP T-H MBP01
MERCEDES	M (W164)	2006	2014	SYSTEM RADIO AUDIO 20/30	NO	AP T-H MBP01
MERCEDES	R (W251)	2006	2014	SYSTEM RADIO AUDIO 20/30	NO	AP T-H MBP01
MERCEDES	S (W221)	2004	2013	SYSTEM RADIO AUDIO 20/30	NO	AP T-H MBP01
MERCEDES	SL (R231)	2012	2014	WITHOUT HARMAN KARDON LOGIC 7 OR BANG & OLUFSEN BEOSOUND	NO	AP T-H MBP01
MERCEDES	SLK (R172)	2012	2014	WITHOUT HARMAN/KARDON LOGIC7 SORROUND SOUND SYSTEM	NO	AP T-H MBP01
MERCEDES	SPRINTER	2006	2014		NO	AP T-H MBP01
MERCEDES	VANEO (W414)	2002	2004		YES	AP T-H ISO01
MERCEDES	VIANO (W639)	2003	2014		YES	AP T-H ISO01
MERCEDES	VITO (W639)	2007	2014		NO	AP T-H MBP01
NISSAN	350Z	2004	2009	WITH SEPARATE AMPLIFIER	YES	AP T-H ISO01
NISSAN	370Z	2008	2014	WITH SEPARATE AMPLIFIER	NO	AP T-H ISO01
NISSAN	370Z	2008	2014	STANDARD AUDIO SYSTEM	NO	AP T-H INI01
NISSAN	JUKE	2010	2014		YES	AP T-H INI01
NISSAN	LEAF	2010	2014		NO	AP T-H INI01
NISSAN	MAXIMA	2009	2014	WITH SEPARATE AMPLIFIER	NO	AP T-H ISO01
NISSAN	MAXIMA	2009	2014	STANDARD AUDIO SYSTEM	NO	AP T-H INI01
NISSAN	MURANO	2008	2014	WITH SEPARATE AMPLIFIER	NO	AP T-H ISO01
NISSAN	MURANO	2008	2014	STANDARD AUDIO SYSTEM	NO	AP T-H INI01
NISSAN	PATHFINDER	2007	2014	WITH BOSE SYSTEM, WITHOUT NAVIGATION	NO	AP T-H ISO01
NISSAN	PATHFINDER	2007	2014	WITH BOSE SYSTEM, WITH NAVIGATION	NO	AP T-H ISO01

BRAND	CAR MODEL	FROM YEAR	TO YEAR	DESCRIPTION	ACC WIRE	AP T-HARNESS
NISSAN	PATHFINDER	2007	2014	STANDARD AUDIO SYSTEM	NO	AP T-H INI01
NISSAN	QASHQAI	2007	2013	STANDARD AUDIO SYSTEM	NO	AP T-H INI01
NISSAN	QASHQAI	2007	2013	WITH BOSE SOUND SYSTEM	NO	AP T-H INI01
NISSAN	QASHQAI	2014	2014	STANDARD AUDIO SYSTEM	NO	AP T-H INI01
OPEL	ADAM	2013	2014		NO	AP T-H GMN01
OPEL	ASTRA	2009	2014		NO	AP T-H GMN01
OPEL	ASTRA	2010	2014	WITH OEM AMPLIFIER	NO	AP T-H ISO01
OPEL	GT ROADSTER	2007	2014		YES	AP T-H GM001
OPEL	GTC J	2011	2014	WITH OEM AMPLIFIER	NO	AP T-H ISO01
OPEL	GTC J	2011	2014		NO	AP T-H GMN01
OPEL	INSIGNIA	2009	2014	WITH OEM AMPLIFIER	NO	AP T-H ISO01
OPEL	INSIGNIA	2009	2014		NO	AP T-H GMN01
OPEL	MERIVA	2010	2014	WITH OEM AMPLIFIER	NO	AP T-H ISO01
OPEL	MERIVA	2010	2014		NO	AP T-H GMN01
OPEL	MOKKA	2013	2014		NO	AP T-H GMN01
OPEL	ZAFIRA C	2011	2014	WITH OEM AMPLIFIER	NO	AP T-H ISO01
OPEL	ZAFIRA C	2011	2014		NO	AP T-H GMN01
PONTIAC	SOLSTICE	2006	2014	WITH SEPARATE AMPLIFIER	NO	AP T-H ISO01
PONTIAC	TORRENT	2007	2014	WITH SEPARATE AMPLIFIER	NO	AP T-H ISO01
PORSCHE	911	1983	2014		YES	AP T-H ISO01
PORSCHE	911	1998	2004	WITH SEPARATE AMPLIFIER	YES	AP T-H ISO01
PORSCHE	924	1976	1988		YES	AP T-H ISO01
PORSCHE	928	1992	1995		YES	AP T-H ISO01
PORSCHE	944	1982	1989		YES	AP T-H ISO01
PORSCHE	959	1986	1989		YES	AP T-H ISO01
PORSCHE	968	1992	1995		YES	AP T-H ISO01
PORSCHE	BOXSTER	1996	2014		YES	AP T-H ISO01
PORSCHE	BOXSTER	2003	2014	WITH SEPARATE AMPLIFIER	YES	AP T-H ISO01
PORSCHE	BOXSTER	2009	2014	WITHOUT BOSE SOUND SYSTEM	NO	AP T-H MBP01
PORSCHE	CARRERA GT	2004	2014		YES	AP T-H ISO01
PORSCHE	CAYENNE	2003	2014		YES	AP T-H ISO01
PORSCHE	CAYENNE	2009	2014	WITHOUT BOSE SOUND SYSTEM	NO	AP T-H MBP01
PORSCHE	CAYMAN	2006	2014		YES	AP T-H ISO01
PORSCHE	CAYMAN	2009	2014	WITHOUT BOSE SOUND SYSTEM	NO	AP T-H MBP01
SAAB	9.3	2006	2014	WITH SEPARATE AMPLIFIER / WITHOUT NAVI	NO	AP T-H ISO01
SAAB	9.3	2008	2014	WITH OEM AMPLIFIER AND NAVI SYSTEM	NO	AP T-H ISO01
SAAB	9.4X	2011	2014		NO	AP T-H ISO01
SAAB	9.4X	2011	2014		NO	AP T-H GMN01
SAAB	9.5	2006	2010	WITH SEPARATE AMPLIFIER / WITHOUT NAVI	NO	AP T-H ISO01
SAAB	9.5	2008	2010	WITH OEM AMPLIFIER AND NAVI SYSTEM	NO	AP T-H ISO01

BRAND	CAR MODEL	FROM YEAR	TO YEAR	DESCRIPTION	ACC WIRE	AP T-HARNESS
SAAB	9.5	2010	2014		NO	AP T-H ISO01
SAAB	9.5	2010	2014	BASIC SOUND SYSTEM	NO	AP T-H GMN01
SAAB	9.5X	2010	2014		NO	AP T-H ISO01
SAAB	9.5X	2010	2014		NO	AP T-H GMN01
SEAT	EXEO	2008	2014		NO	AP T-H AVS01
SEAT	IBIZA	2008	2014		NO	AP T-H AVS01
SEAT	LEON	2005	2013		NO	AP T-H AVS01
SEAT	LEON	2010	2013		NO	AP T-H AVS01
SEAT	LEON	2014	2014	NEW QUADLOCK TYPE 52 PIN (ALL PINS)	NO	AP T-H AVS02
SKODA	OCTAVIA	2004	2013		NO	AP T-H AVS01
SKODA	OCTAVIA	2010	2013		NO	AP T-H AVS01
SKODA	OCTAVIA	2014	2014	NEW QUADLOCK TYPE 52 PIN (ALL PINS)	NO	AP T-H AVS02
SKODA	RAPID	2013	2014		NO	AP T-H AVS01
SKODA	SUPERB	2002	2006		YES	AP T-H ISO01
SKODA	SUPERB	2006	2014		NO	AP T-H AVS01
SMART	FORFOUR	2004	2014		NO	AP T-H MBP01
SMART	FORTWO	2004	2007		YES	AP T-H ISO01
SMART	FORTWO	2007	2014		NO	AP T-H ISO01
SMART	ROADSTER	2002	2014		YES	AP T-H ISO01
TOYOTA	AURION	2006	2014	WITHOUT JBL SOUND SYSTEM	YES	AP T-H TOL01
TOYOTA	AURIS	2007	2014	STANDARD AUDIO SYSTEM	YES	AP T-H TOL01
TOYOTA	AVENSIS	2009	2014	STANDARD AUDIO SYSTEM	YES	AP T-H TOL01
TOYOTA	AVENSIS VERSO	2001	2009	STANDARD AUDIO SYSTEM	YES	AP T-H TOL01
TOYOTA	CAMRY	2006	2014	STANDARD AUDIO SYSTEM	YES	AP T-H TOL01
TOYOTA	COROLLA	2006	2014	STANDARD AUDIO SYSTEM	YES	AP T-H TOL01
TOYOTA	COROLLA VERSO	2002	2009	STANDARD AUDIO SYSTEM	YES	AP T-H TOL01
TOYOTA	ECHO	2000	2003	STANDARD AUDIO SYSTEM	YES	AP T-H TOL01
TOYOTA	ETIOS	2010	2014	STANDARD AUDIO SYSTEM	YES	AP T-H TOL01
TOYOTA	FJ CRUISER	2006	2014	STANDARD AUDIO SYSTEM	YES	AP T-H TOL01
TOYOTA	FORTUNER	2005	2014	STANDARD AUDIO SYSTEM	YES	AP T-H TOL01
TOYOTA	HIGHLANDER	2001	2014	STANDARD AUDIO SYSTEM	YES	AP T-H TOL01
TOYOTA	HI-LUX	1989	2014	STANDARD AUDIO SYSTEM	YES	AP T-H TOL01
TOYOTA	IQ	2009	2014	STANDARD AUDIO SYSTEM	YES	AP T-H TOL01
TOYOTA	KLUGER	2001	2014	STANDARD AUDIO SYSTEM	YES	AP T-H TOL01
TOYOTA	LAND CRUISER 100	2002	2008	WITHOUT SEPARATE AMPLIFIER	YES	AP T-H TOL01
TOYOTA	LAND CRUISER 200	2008	2014	WITHOUT SEPARATE AMPLIFIER	YES	AP T-H TOL01
TOYOTA	LAND CRUISER 300	2003	2014	WITHOUT SEPARATE AMPLIFIER	YES	AP T-H TOL01
TOYOTA	LAND CRUISER 70	2003	2014	WITHOUT SEPARATE AMPLIFIER	YES	AP T-H TOL01
TOYOTA	MATRIX	2005	2014	STANDARD AUDIO SYSTEM	YES	AP T-H TOL01
TOYOTA	PRIUS	2010	2014	ALL SOUND SYSTEMS	YES	AP T-H TOL01



BRAND	CAR MODEL	FROM YEAR	TO YEAR	DESCRIPTION	ACC WIRE	AP T-HARNESS
TOYOTA	SEQUOIA	2008	2014	STANDARD AUDIO SYSTEM	YES	AP T-H TOL01
TOYOTA	SIENNA	2008	2014	STANDARD AUDIO SYSTEM	YES	AP T-H TOL01
TOYOTA	SOLARA	2008	2014	STANDARD AUDIO SYSTEM	YES	AP T-H TOL01
TOYOTA	TACOMA	2005	2014	STANDARD AUDIO SYSTEM	YES	AP T-H TOL01
TOYOTA	TUNDRA	2008	2014	WITHOUT JBL SOUND SYSTEM	YES	AP T-H TOL01
TOYOTA	VENZA	2009	2014	STANDARD AUDIO SYSTEM	YES	AP T-H TOL01
TOYOTA	VERSO	2009	2014	STANDARD AUDIO SYSTEM	YES	AP T-H TOL01
TOYOTA	YARIS	2007	2014	STANDARD AUDIO SYSTEM	YES	AP T-H TOL01
VOLKSWAGEN	AMAROK	2010	2014		NO	AP T-H AVS01
VOLKSWAGEN	BEETLE	2011	2014		NO	AP T-H AVS01
VOLKSWAGEN	CALIFORNIA	2003	2014		NO	AP T-H AVS01
VOLKSWAGEN	CARAVELLE	2009	2014		NO	AP T-H AVS01
VOLKSWAGEN	GOLF PLUS	2005	2014		NO	AP T-H AVS01
VOLKSWAGEN	GOLF V	2003	2007		NO	AP T-H AVS01
VOLKSWAGEN	GOLF VI	2008	2013		NO	AP T-H AVS01
VOLKSWAGEN	GOLF VII	2014	2014	NEW QUADLOCK TYPE 52 PIN (ALL PINS)	NO	AP T-H AVS02
VOLKSWAGEN	PASSAT	2005	2014		NO	AP T-H AVS01
VOLKSWAGEN	PHAETON	2002	2010	WITHOUT SEPARATE AMPLIFIER	YES	AP T-H ISO01
VOLKSWAGEN	PHAETON	2010	2014		NO	AP T-H AVS01
VOLKSWAGEN	POLO	2005	2013		NO	AP T-H AVS01
VOLKSWAGEN	POLO	2014	2014	NEW QUADLOCK TYPE 52 PIN (ALL PINS)	NO	AP T-H AVS02
VOLKSWAGEN	RABBIT	2003	2014		NO	AP T-H AVS01
VOLKSWAGEN	SCIROCCO	2008	2014		NO	AP T-H AVS01
VOLKSWAGEN	SHARAN	2009	2014		NO	AP T-H AVS01
VOLKSWAGEN	TIGUAN	2007	2014		NO	AP T-H AVS01
VOLKSWAGEN	TOUAREG	2002	2014		NO	AP T-H AVS01
VOLKSWAGEN	TOURAN	2003	2014		NO	AP T-H AVS01
VOLKSWAGEN	TRANSPORTER T5	2003	2009		NO	AP T-H AVS01
VOLKSWAGEN	VENTO	2009	2014		NO	AP T-H AVS01



**ABOUT US**

Elettromedia, an Italian company, is a leader within the world-wide car Hi-Fi market. Born in 1987 in Potenza Picena by a group of friends who shared the same passion for in-car high fidelity, throughout the past years Elettromedia has been walking the path of excellence: its products are distributed in more than 50 countries; the company has received many awards and acknowledgements from the most authoritative leaders within the car audio industry; it also can boast reviews of more than 3000 pages published in 30 different languages (visit: [www.elettromedia.it/press\\_area.asp](http://www.elettromedia.it/press_area.asp)).

The Elettromedia brands are Audison, Hertz, Connection and AZaudiocomp. Through a co-branding strategy, the company offers all of the components required for a complete, top-level car audio system.

**CONTACTS:**

**Elettromedia s.r.l. Strada Regina km 3,500 - 62018 Potenza Picena (Mc) - Italy**  
**T +39 0733 870 870 - F +39 0733 870 880 - [www.elettromedia.it](http://www.elettromedia.it)**

**AWARDS**

This section displays a collection of award logos. The top row features four EISA AWARD Best Product logos for the years 2012-2013, 2011-2012, 2010-2011, and 2009-2010. The second row contains four more EISA AWARD Best Product logos for 2008-2009, 2008-2009, 2007-2008, and 2006-2007. The third row shows three EISA AWARD Best Product logos for 2013-2014, 2014-2015, and 2014-2015. Below these are several other award logos: 'THE PRODUCT OF THE YEAR' (2007), 'BEST OF CAR AUDIO 2007', 'Auto Sound GRAND PRIX 2011 Winner', 'Auto Sound GRAND PRIX 2008 Winner', 'Auto Sound GRAND PRIX 2006 Golden Award', and 'Auto Sound Web GRAND PRIX 2014 Winner'. The bottom row includes four 'INNOVATIONS INTERNATIONAL CES' Design & Engineering Showcase Honors logos for 2009, 2007, 2006, and 2005, followed by three EISA AWARD logos for Mobile Amplifier (2006-2005), Mobile Amplifier (2006-2004), and Hertz Space AK 25 (2005-2004).

## Materiali disponibili

**PRIMA Product Information** (versionePDF, risoluzione 150 dpi)

**LOGHI: Audison, PRIMA, Plug & Sound, Bit drive, Full DA, KLIPPEL,**  
(versione Adobe Illustrator, risoluzione 300 dpi)

**FOTO** (versione JPEG, risoluzione 300 dpi)



AP Speaker OUT Cable



AP Speaker OUT Cable



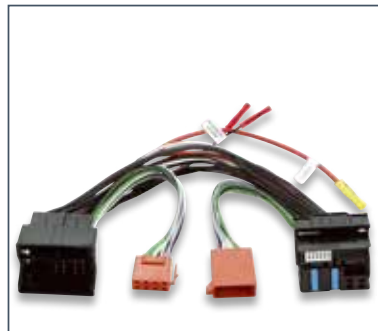
AP Speaker OUT Cable



AP Extension cable IN/OUT



AP Extension cable IN



AP T-Harness



Tutte le specifiche riportate sono soggette a cambiamento senza preavviso

[www.audison.eu](http://www.audison.eu)

**audison**  
ISTINTO  
INNOVATIVO

**PART OF ELETTROMEDIA**  
62018 Potenza Picena (MC) Italy  
T +39 0733 870 870 - F +39 0733 870 880  
[www.elettromedia.it](http://www.elettromedia.it)