

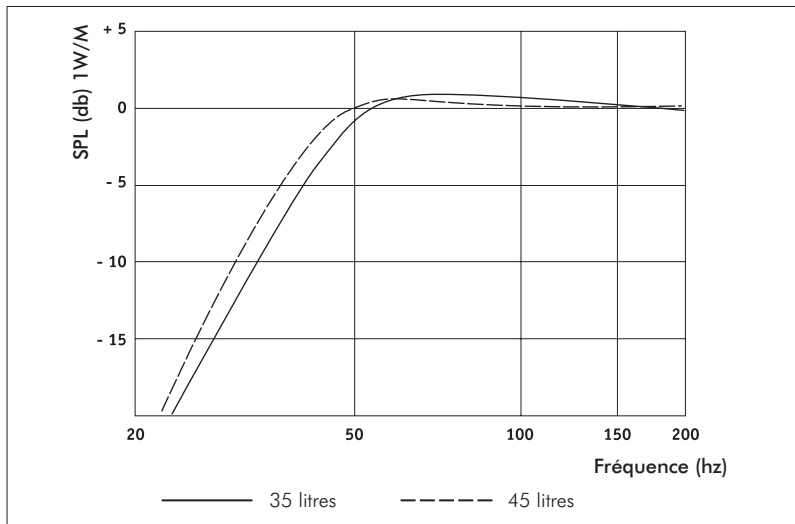
# 33 WX

## 13" Utopia Be® Subwoofer

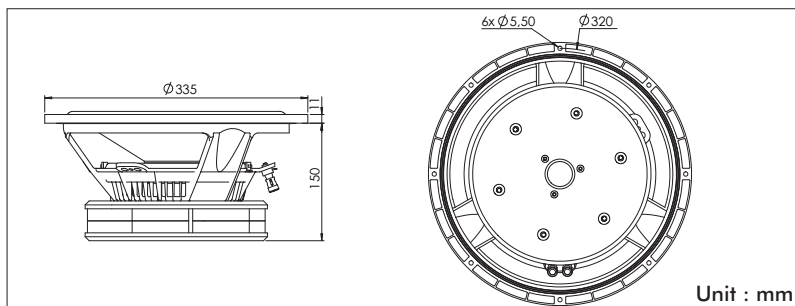
- Multiferrite magnet
- W cone
- For small and medium size
- High power handling



### Frequency Reponse



### Mechanical Drawing



### Specifications

Nominal power	400W	
Maximum power	800W	
Sensitivity	92 dB	
Cone	W	
Surround	Rubber	
Nom. impedance	4 Ohms	
DC resistance	3.5 Ohms	
VC diameter	77 mm	3.08 in
VC height	28 mm	1.12 in
Former	Aluminum	
Layers	2	
Wire	Copper	
Inductance	2.05 mH	
Xmax	9 mm	0.36 in
Magnet (12 units)	15 x 72 mm	0.60x2.88in
Magnet weight	10.3 kg	22.98 lbs
Flux density	0.8 T	
Gap height	10 mm	0,40 in
Net weight	12.45 kg	27.77 lbs

### Parameters

Fs	32.52 Hz
Vas	73.06 l
Qts	0.349
Qes	0.360
Qms	11.75
Re	3.32 ohms
Sd	551.55 cm <sup>2</sup>
Cas	5.20E-07 m <sup>5</sup> /N
Mas	46.04 Kg/m <sup>4</sup>
Ras	800.71 ohms.ac
Cms	1.71E-04 m/N
Mms	140.07 g
Rms	2.436 kg/s
Ces	530.68 mF
Les	45.13 mH
Res	108.36 ohms
BI	16.25 N/A
SPL	90.28 dB/W/m

### Suggested application

Load	V (l)	F-3 (Hz)	FB (Hz)	Évent (d x l)
Vented	35 litres	43	42	10 x 30 cm
Vented	45 litres	40	40	10 x 25 cm

